

4

3

2

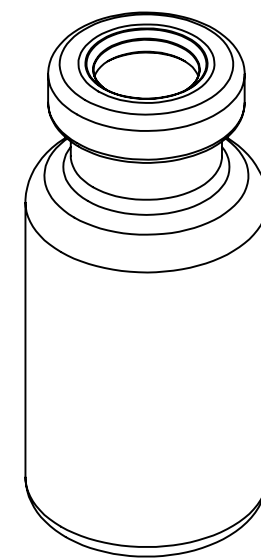
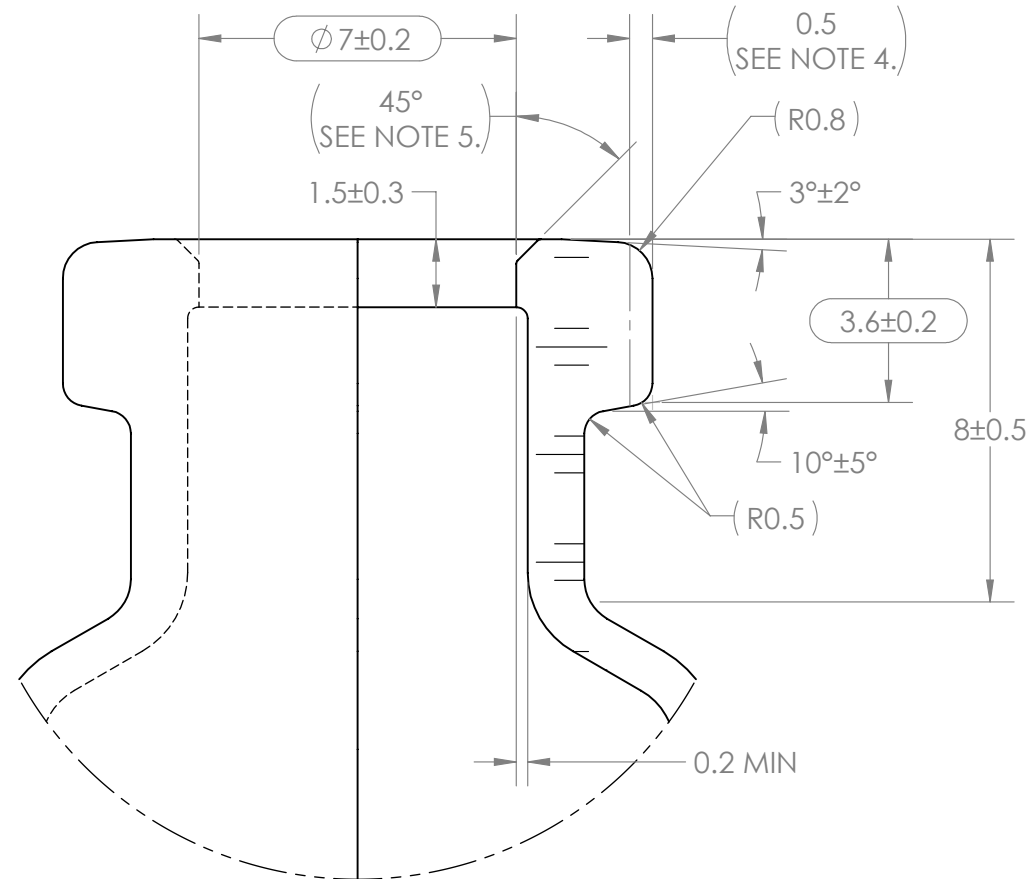
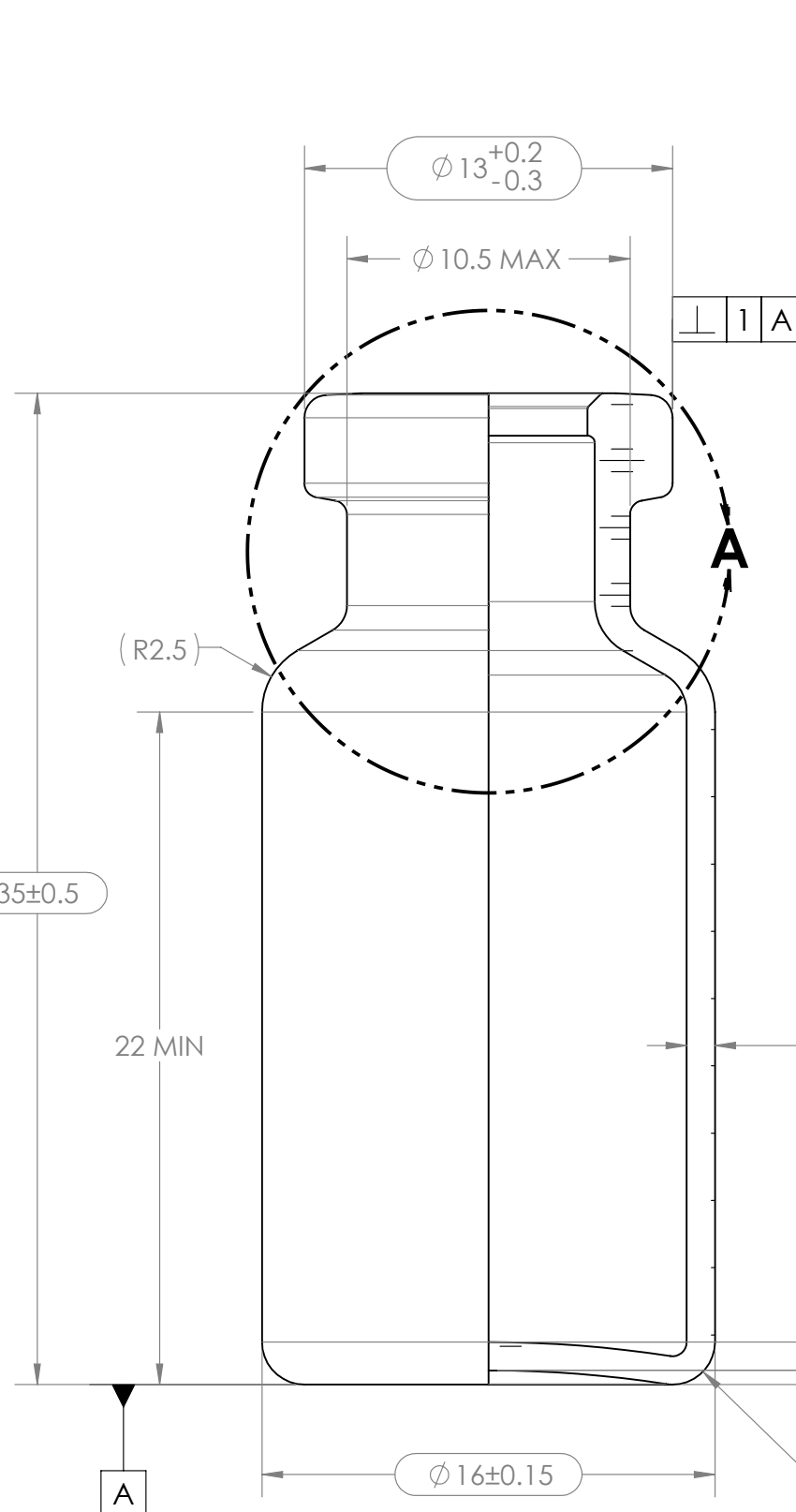
1

B

B

A

A



**DETAIL A
SCALE 6 : 1**

NOTES:

1. ISO 8362-1:2018 VIAL CONTAINING A NECK FINISH WITH BLOWBACK (EUROPEAN STYLE) - MODEL B
2. CRITICAL DIMENSIONS SHOWN WITH: \ominus
3. REFERENCE DIMENSIONS SHOWN WITH: ()
4. FLANGE MEASURED: FOR PROCESS CONTROL, 3.7+/-0.2 FROM SEALING SURFACE TO INTERSECTION OF OFFSET 0.5MM IN FROM FLANGE O.D.
5. EDGES SLIGHTLY ROUNDED
6. DETAIL A: ILLUSTRATED IDEAL PRESENTATIONS. THE TRANSITION TO BLOWBACK IS NOT SHARP-EDGED BUT SLIGHTLY ROUNDED
7. BRIMFUL: ~4mL +/- 0.5mL
8. MASS: ~4.4g

0	INITIAL RELEASE	CC25042	8/22/2022	BPD	CRF
REVISION	DESCRIPTION	CHANGE NUMBER	DATE	REV BY	APPV'D
CORNING LIFE SCIENCE TECHNOLOGIES CPT DIVISION		PART NAME: 2R ISO VIAL EUBB			
THIS DRAWING MUST NOT BE REPRODUCED OR COPIED IN ANY WAY WITHOUT THE EXPRESS WRITTEN CONSENT OF CORNING. THE DRAWING IS TO BE USED ONLY FOR THE PURPOSE FOR WHICH IT IS SUPPLIED AND MUST BE RETURNED ON DEMAND. THE DRAWING MUST BE TREATED AS STRICTLY CONFIDENTIAL AND MUST NOT BE DISCLOSED TO ANY THIRD PARTY WITHOUT THE EXPRESS WRITTEN CONSENT OF CORNING.		CORNING VALOR® VIALS			
UNLESS SPECIFIED DIMS & TOL. ARE INCHES & INTERPRETED PER ASME Y14.5-2009	TOLERANCES UNOS	MATERIAL: ALUMINOSILICATE	DESIGNED BY: BPD	MODELED BY: BPD	DRAWN BY: BPD
3RD	INSTALLATION FRACTIONS DETAIL FRACTIONS 1 PLACE DECIMALS ± .15" 2 PLACE DECIMALS ± .015" 3 PLACE DECIMALS ± .005" 4 PLACE DECIMALS ± .0005" DEGREES ± 30°	HEAT TREAT:	87680-0150-0		
ASSEMBLY: DATE PLOTTED: 11/23/2022		FINISH:	CREATE DATE: 9/2/2022	SIZE B	SCALE 4:1
				SHEET 1 OF 1	

4

3

2

1